

TORQUE WRENCH

LOW CLEARANCE - TWLC

Max Torque 39,024 Nm at 700 bar
(28,800 lb-ft at 10,000 psi)



Shown with optional handle, refer to page 22 for details.

TORQUE WRENCH LOW CLEARANCE

The TWLC Series Wrench was designed for the most inaccessible bolting areas found in the industry. Its long neck, short height and small radius have all added to its great success.

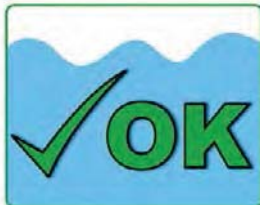


Several link sizes are available for each drive.

Combine a drive body with a link to make a wrench. Each are sold separately.

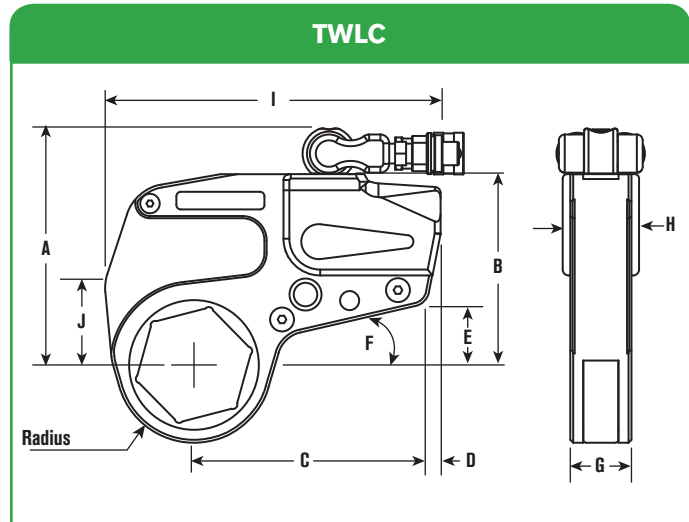
**TWSD CONVERSION CHART,
SEE PAGE 121**

OK FOR SUBSEA



Specifications and Dimensional Data

- Low weight, high strength design
- Superior torsional strength
- Fast operation cycle
- Fine tooth ratchet
- Floating piston design
- Link pin does not fall out
- Auto-connect drive piston
- Compact frame size
- Rigid steel body construction
- Swivel manifold internal relief valve prevents retract side over-pressurization
- “Hardened” steel reaction pad on TWLC8, 15 & 30
- Small nose radius
- Corrosion resistant finish
- Multi-axis high flow swivel manifold
- Simple design
- Consistent torque output



- Quick interchangeable heads, no tools necessary
- Replaceable reaction pad on larger models

Body Order No.	A		B		C		D		E		F		G		H	
	in	mm	in	mm	in	mm	in	mm	in	mm	in	mm	in	mm	in	mm
TWLC2	3.8	97	4.1	103	5	128	0.3	8	1.4	35	0.5	13	1.3	32	1.7	42
TWLC4	4.7	120	5.1	130	6.3	159	0.4	9	1.7	43	0.5	13	1.7	42	2	52
TWLC8	5.8	147	6.2	158	7	177	1	24.5	1.6	40	0.6	14	2.1	54	2.6	67
TWLC15	6.9	174	7.3	186	7.9	200	1.1	27	1.7	43	0.6	14	2.5	63	3	76
TWLC30	8.8	223	9.4	239	10.5	267	1	26	2.4	62	0.6	15	3.2	82	3.7	94

Body Order No.	Hex Range				Min Torque		Max Torque		Weight (Body Only)	
	in	in	mm	mm	lb-ft	Nm	lb-ft	Nm	lb	kg
TWLC2	1-1/8	2-3/8	26	60	189	256	1,575	2,134	2.2	1.0
TWLC4	1-5/16	3-1/8	33	80	477	646	3,975	5,386	4.4	2.0
TWLC8	1-7/8	3-15/16	49	100	954	1,293	7,950	10,772	7.7	3.5
TWLC15	2-7/16	4-5/8	62	116	1,782	2,415	14,850	20,122	15.4	7.0
TWLC30	3-1/8	6-1/16	80	155	3,456	4,683	28,800	39,024	31.9	14.5

CAUTION: Always read operating manual before using for proper use of tools and accessories.

NOTE: Reference dimensions shown and vary by links size. Exact dimensions can be found on our website.

Ordering Information

TO SPECIFY A TWLC SOLUTION:

1. Find a link for your application (nut size) (page 28-29)
2. Choose the appropriate Drive body (page 27)
3. Add reducers for additional nut sizes (pages 30-31)

Please order Drive Body and Link separately and pay attention to the same size, for Example TWLC2 and TWL2-041.

TORQUE WRENCH

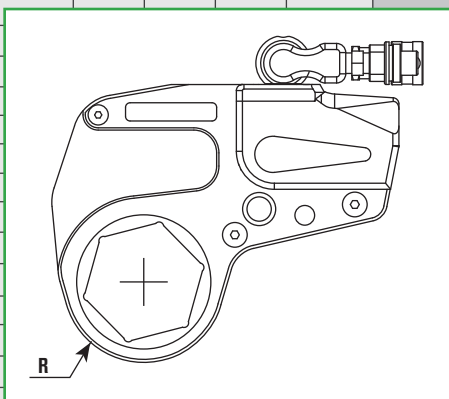
LOW CLEARANCE LINKS - TWLC

Parts Codes, Nose Radius

NOTE:

The sizes listed on these pages encompass both heavy hex and standard hex nut sizes. Check your local SPX Bolting Office for availability as some items may be special order.

Nut A/F		Link Order No.	TWLC2				Link Order No.	TWLC4				Link Order No.	TWLC8									
Inch	Metric		Radius R mm (in)	I mm (in)	J mm (in)	Weight (Link Only) kg (lb)		Radius R mm (in)	I mm (in)	J mm (in)	Weight (Link Only) kg (lb)		Radius R mm (in)	I mm (in)	J mm (in)	Weight (Link Only) kg (lb)						
1-1/8	26	TWL2-026																				
1-1/16	27	TWL2-027																				
1-1/8	29	TWL2-029																				
1-3/16	30	TWL2-030	31.5 (1.2)	180 (7.1)	38 (1.5)	2 (4.4)																
1-1/4	32	TWL2-032																				
1-5/16	33	TWL2-033									TWL4-033											
1-3/8	35	TWL2-035									TWL4-035											
1-7/16	36	TWL2-036					TWL4-036	36.5 (1.4)	227 (8.9)	53 (2.1)	4 (8.8)											
1-1/2	38	TWL2-150					TWL4-150															
1-9/16	40	TWL2-040	34.5 (1.4)	181 (7.1)	40 (1.6)	2 (4.4)																
1-5/8	41	TWL2-041													TWL4-040							
1-11/16	43	TWL2-043																				
1-3/4	44	TWL2-044	37 (1.5)	183 (7.2)	40 (1.6)	2 (4.4)																
1-13/16	46	TWL2-046									TWL4-043	39 (1.5)	227 (8.9)	53 (2.1)	4 (8.8)							
1-7/8	48	TWL2-188																				
1-15/16	49	TWL2-049	40 (1.6)	185 (7.3)	43 (1.7)	2 (4.4)																
2	50	TWL2-050									TWL4-044	42 (1.7)	227 (8.9)	53 (2.1)	4 (8.8)							
2-1/16	52	TWL2-052																				
2-1/8	54	TWL2-054	42.5 (1.7)	185 (7.3)	43 (1.7)	2 (4.4)																
2-3/16	55	TWL2-055																				
2-1/4	57	TWL2-057	45.5 (1.8)	185 (7.3)	43 (1.7)	2 (4.4)																
2-5/16	59	TWL2-059																				
2-3/8	60	TWL2-060																				
2-7/16	62																					
2-1/2	63																					
2-9/16	65																					
2-5/8	67																					
2-11/16	68																					
2-3/4	70																					
2-13/16	71																					
2-7/8	73																					
2-15/16	75																					
3	77																					
3-1/16	78																					
3-1/8	80																					
3-3/16	81																					
3-1/4	83																					
3-5/16	84																					
3-3/8	85																					
3-7/16	87																					
	89																					
3-1/2	90																					
3-9/16	91																					
3-5/8	92																					
3-11/16	94																					
3-3/4	95																					
3-13/16	97																					
	99																					
3-7/8	100																					



MORE SOLUTIONS ON NEXT PAGE

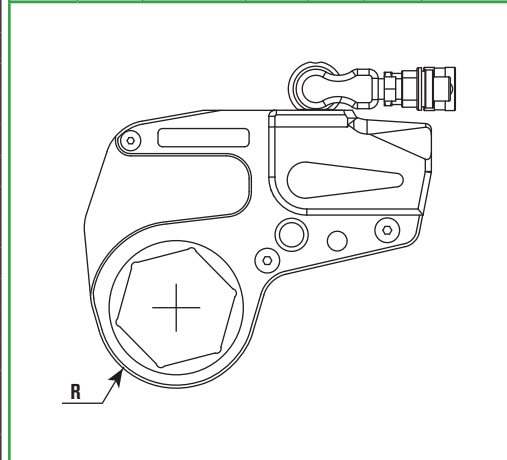
Ordering Information

TO SPECIFY A TWLC SOLUTION:

1. Find a link for your application (nut size) (page 28-29)
2. Choose the appropriate Drive body (page 27)
3. Add reducers for additional nut sizes (pages 30-31)

Please order Drive Body and Link separately and pay attention to the same size, for Example TWLC2 and TWL2-041.

Nut A/F		Link Order No.	TWLC15				TWLC30					Nut A/F		Link Order No.	TWLC30 (Continued)			
			Radius R	I	J	Weight (Link Only)	Radius R	I	J	Weight (Link Only)	Inch				Metric	Radius R	I	J
Inch	Metric		mm (in)	mm (in)	mm (in)	kg (lb)	Link Order No.	mm (in)	mm (in)	mm (in)	kg (lb)			mm (in)	mm (in)	mm (in)	kg (lb)	
2-7/16	62	TWL15-062										4-13/16	122	TWL30-122				
2-1/2	63	TWL15-063											123	TWL30-123				
2-9/16	65	TWL15-065	60.5 (2.4)	313 (12.3)	88 (3.5)	12.5 (27.5)						4-7/8	124	TWL30-124	99 (3.9)	400 (15.7)	109 (4.3)	28.5 (62.7)
2-5/8	67	TWL15-067										4-15/16	125	TWL30-125				
2-11/16	68	TWL15-068										5	127	TWL30-500				
2-3/4	70	TWL15-070										5-1/16	129	TWL30-129				
2-13/16	71	TWL15-071										5-1/8	130	TWL30-130				
2-7/8	73	TWL15-073	63 (2.5)	313 (12.3)	88 (3.5)	12.5 (27.5)						5-3/16	132	TWL30-132	105 (4.1)	400 (15.7)	109 (4.3)	28.5 (62.7)
2-15/16	75	TWL15-075										5-1/4	133	TWL30-133				
3	77	TWL15-077										5-3/8	135	TWL30-135				
3-1/16	78	TWL15-313	66.5 (2.6)	313 (12.3)	88 (3.5)	13 (28.6)							137	TWL30-538				
3-1/8	80	TWL15-080					TWL30-080					5-7/16	138	TWL30-138				
3-3/16	81	TWL15-081					TWL30-081					5-1/2	140	TWL30-140				
3-1/4	83	TWL15-083					TWL30-083					5-9/16	141	TWL30-141				
3-5/16	84	TWL15-084					TWL30-084	77 (3.0)	393 (15.5)	104 (4.1)	26.5 (58.3)	5-5/8	143	TWL30-143	110 (4.3)	400 (15.7)	109 (4.3)	28.5 (62.7)
3-3/8	85	TWL15-085	72 (2.8)	313 (12.3)	8 (0.3)	13.5 (29.7)	TWL30-085					5-11/16	144	TWL30-144				
3-7/16	87	TWL15-087					TWL30-087					5-3/4	145	TWL30-145				
	89	TWL15-089					TWL30-089						146	TWL30-146				
3-1/2	90	TWL15-090					TWL30-090					5-13/16	148	TWL30-148				
3-9/16	91	TWL15-091					TWL30-091					5-7/8	149	TWL30-149				
3-5/8	92	TWL15-092					TWL30-092						150	TWL30-150				
3-11/16	94	TWL15-094					TWL30-094					5-15/16	151	TWL30-151	116 (4.6)	400 (15.7)	109 (4.3)	29.5 (64.9)
3-3/4	95	TWL15-095	78 (3.1)	316 (12.4)	80 (3.1)	13.5 (29.7)	TWL30-095	83 (3.3)	393 (15.5)	104 (4.1)	26.5 (58.3)	6	152	TWL30-152				
3-13/16	97	TWL15-097					TWL30-097					6-1/16	154	TWL30-154				
	99	TWL15-388					TWL30-388					6-1/8	155	TWL30-155				
3-7/8	100	TWL15-100					TWL30-100											
4	102	TWL15-102					TWL30-102											
4-1/16	103	TWL15-103					TWL30-103											
4-1/8	105	TWL15-105	82.5 (3.2)	316 (12.4)	80 (3.1)	14 (30.8)	TWL30-105	89 (3.5)	393 (15.5)	104 (4.1)	27.5 (60.5)							
4-3/16	106	TWL15-106					TWL30-106											
4-1/4	108	TWL15-425					TWL30-425											
4-5/16	110	TWL15-110					TWL30-110											
4-3/8	111	TWL15-111					TWL30-111											
4-7/16	113	TWL15-113					TWL30-113											
4-1/2	114	TWL15-114	87.5 (3.4)	316 (12.4)	80 (3.1)	14 (30.8)	TWL30-114	92 (3.6)	393 (15.5)	104 (4.1)	27.5 (60.5)							
	115	TWL15-115					TWL30-115											
4-9/16	116	TWL15-116					TWL30-116											
4-5/8	117	TWL15-463					TWL30-463											
4-11/16	119						TWL30-119	99 (3.9)	400 (15.7)	109 (4.3)	28.5 (62.7)							
4-3/4	120						TWL30-120											



MORE SOLUTIONS ON NEXT PAGE

TORQUE WRENCH

LOW CLEARANCE REDUCERS - TWLC

Drive Body, Links & Reducers

Special sizes available upon request.



Specifications and Dimensional Data

Body Order No.	Link Order No.	Nut A/F		Reducer			Reducer			Reducer		
		in	mm	in	mm	Order No.	in	mm	Order No.	in	mm	Order No.
TWLC2	TWL2-032	1-1/4	32	-	-	-	-	-	-	-	-	-
	TWL2-036	1-7/16	36	-	-	-	-	-	-	-	-	-
	TWL2-041	1-5/8	41	1-5/8 - 1-7/16	41-36	TWR2-041036	1-5/8 - 1-1/4	41-32	TWR2-041032	-	-	-
	TWL2-046	1-13/16	46	1-13/16 - 1-5/8	46-41	TWR2-046041	1-13/16 - 1-7/16	46-36	TWR2-046036	1-13/16 - 1-1/4	46-32	TWR2-046032
	TWL2-050	2	50	2 - 1-13/16	50-46	TWR2-050046	2 - 1-5/8	50-41	TWR2-050041	2 - 1-7/16	50-36	TWR2-050036
	TWL2-055	2-3/16	55	2-3/16 - 2	55-50	TWR2-055050	2-3/16 - 1-13/16	55-46	TWR2-055046	2-3/16 - 1-5/8	55-41	TWR2-055041
	TWL2-060	2-3/8	60	2-3/8 - 2-3/16	60-55	TWR2-060055	2-3/8 - 2	60-50	TWR2-060050	2-3/8 - 1-13/16	60-46	TWR2-060046
TWLC4	TWL4-041	1-5/8	41	1-5/8 - 1-7/16	41-36	TWR4-041036	1-5/8 - 1-1/4	41-32	TWR4-041032	-	-	-
	TWL4-046	1-13/16	46	1-13/16 - 1-5/8	46-41	TWR4-046041	1-13/16 - 1-7/16	46-36	TWR4-046036	1-13/16 - 1-1/4	46-32	TWR4-046032
	TWL4-050	2	50	2 - 1-13/16	50-46	TWR4-050046	2 - 1-5/8	50-41	TWR4-050041	2 - 1-7/16	50-36	TWR4-050036
	TWL4-055	2-3/16	55	2-3/16 - 2	55-50	TWR4-055050	2-3/16 - 1-13/16	55-46	TWR4-055046	2-3/16 - 1-5/8	55-41	TWR4-055041
	TWL4-060	2-3/8	60	2-3/8 - 2-3/16	60-55	TWR4-060055	2-3/8 - 2	60-50	TWR4-060050	2-3/8 - 1-13/16	60-46	TWR4-060046
	TWL4-065	2-9/16	65	2-9/16 - 2-3/8	65-60	TWR4-065060	2-9/16 - 2-3/16	65-55	TWR4-065055	2-9/16 - 2	65-50	TWR4-065050
	TWL4-070	2-3/4	70	2-3/4 - 2-9/16	70-65	TWR4-070065	2-3/4 - 2-3/8	70-60	TWR4-070060	2-3/4 - 2-3/16	70-55	TWR4-070055
	TWL4-075	2-15/16	75	2-15/16 - 2-3/4	75-70	TWR4-075070	2-15/16 - 2-9/16	75-65	TWR4-075065	2-15/16 - 2-3/8	75-60	TWR4-075060
	TWL4-080	3-1/8	80	3-1/8 - 2-15/16	80-75	TWR4-080075	3-1/8 - 2-3/4	80-70	TWR4-080070	3-1/8 - 2-9/16	80-65	TWR4-080065
TWLC8	TWL8-060	2-3/8	60	2-3/8 - 2-3/16	60-55	TWR8-060055	2-3/8 - 2	60-50	TWR8-060050	2-3/8 - 1-13/16	60-46	TWR8-060046
	TWL8-065	2-9/16	65	2-9/16 - 2-3/8	65-60	TWR8-065060	2-9/16 - 2-3/16	65-55	TWR8-065055	2-9/16 - 2	65-50	TWR8-065050
	TWL8-070	2-3/4	70	2-3/4 - 2-9/16	70-65	TWR8-070065	2-3/4 - 2-3/8	70-60	TWR8-070060	2-3/4 - 2-3/16	70-55	TWR8-070055
	TWL8-075	2-15/16	75	2-15/16 - 2-3/4	75-70	TWR8-075070	2-15/16 - 2-9/16	75-65	TWR8-075065	2-15/16 - 2-3/8	75-60	TWR8-075060
	TWL8-080	3-1/8	80	3-1/8 - 2-15/16	80-75	TWR8-080075	3-1/8 - 2-3/4	80-70	TWR8-080070	3-1/8 - 2-9/16	80-65	TWR8-080065
	TWL8-085	3-3/8	85	3-3/8 - 3-1/8	85-80	TWR8-085080	3-3/8 - 2-15/16	85-65	TWR8-085065	3-3/8 - 2-3/4	85-70	TWR8-085070
	TWL8-090	3-1/2	90	3-1/2 - 3-3/8	90-85	TWR8-090085	3-1/2 - 3-1/8	90-80	TWR8-090080	3-1/2 - 2-15/16	90-75	TWR8-090075
	TWL8-095	3-3/4	95	3-3/4 - 3-1/2	95-90	TWR8-095090	3-3/4 - 3-3/8	95-85	TWR8-095085	3-3/4 - 3-1/8	95-80	TWR8-095080
	TWL8-100	3-7/8	100	3-7/8 - 3-3/4	100-95	TWR8-100095	3-7/8 - 3-1/2	100-90	TWR8-100090	3-7/8 - 3-3/8	100-85	TWR8-100085

12 point links available upon request. Please contact factory.

Ordering Information

TO SPECIFY A TWLC SOLUTION:

1. Find a link for your application (nut size) (page 28-29)
2. Choose the appropriate Drive body (page 27)
3. Add reducers for additional nut sizes (pages 30-31)

Please order Drive Body and Link separately and pay attention to the same size, for Example TWLC2 and TWL2-041.



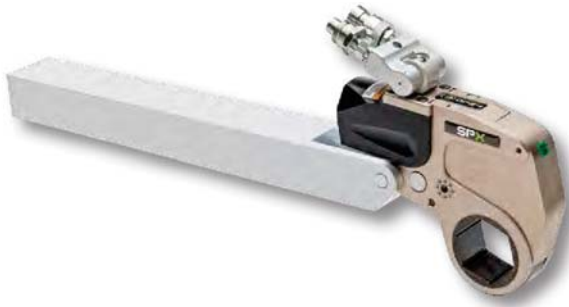
Specifications and Dimensional Data

Body Order No.	Link Order No.	Nut A/F		Reducer			Reducer			Reducer		
		in	mm	in	mm	Order No.	in	mm	Order No.	in	mm	Order No.
TWLC15	TWL15-070	2-3/4	70	2-3/4 - 2-9/16	70-65	TWR15-070065	2-3/4 - 2-3/8	70-60	TWR15-070060	2-3/4 - 2-3/16	70-55	TWR15-070055
	TWL15-075	2-15/16	75	2-15/16 - 2-3/4	75-70	TWR15-075070	2-15/16 - 2-9/16	75-65	TWR15-075065	2-15/16 - 2-3/8	75-60	TWR15-075060
	TWL15-080	3-1/8	80	3-1/8 - 2-15/16	80-75	TWR15-080075	3-1/8 - 2-3/4	80-70	TWR15-080070	3-1/8 - 2-9/16	80-65	TWR15-080065
	TWL15-085	3-3/8	85	3-3/8 - 3-1/8	85-80	TWR15-085080	3-3/8 - 2-15/16	85-65	TWR15-085065	3-3/8 - 2-3/4	85-70	TWR15-085070
	TWL15-090	3-1/2	90	3-1/2 - 3-3/8	90-85	TWR15-090085	3-1/2 - 3-1/8	90-80	TWR15-090080	3-1/2 - 2-15/16	90-75	TWR15-090075
	TWL15-095	3-3/4	95	3-3/4 - 3-1/2	95-90	TWR15-095090	3-3/4 - 3-3/8	95-85	TWR15-095085	3-3/4 - 3-1/8	95-80	TWR15-095080
	TWL15-100	3-7/8	100	3-7/8 - 3-3/4	100-95	TWR15-100095	3-7/8 - 3-1/2	100-90	TWR15-100090	3-7/8 - 3-3/8	100-85	TWR15-100085
	TWL15-105	-	105	-	105-100	TWR15-105100	-	105-95	TWR15-105095	-	105-90	TWR15-105090
	TWL15-425	4-1/4	-	4-1/4 - 3-7/8	-	TWR15-425388	4-1/4 - 3-3/4	-	TWR15-425375	4-1/4 - 3-1/2	-	TWR15-425350
	TWL15-110	-	110	-	110-105	TWR15-110105	-	110-100	TWR15-110010	-	110-95	TWR15-110095
	TWL15-115	-	115	-	115-110	TWR15-115110	-	115-105	TWR15-115105	-	115-100	TWR15-115100
TWL15-463	4-5/8	-	4-5/8 - 4-1/4	-	TWR15-463425	4-5/8 - 3-7/8	-	TWR15-463388	4-5/8 - 3-3/4	-	TWR15-463375	
TWLC30	TWL30-080	3-1/8	80	3-1/8 - 2-15/16	80-75	TWR30-080075	3-1/8 - 2-3/4	80-70	TWR30-080070	3-1/8 - 2-9/16	80-65	TWR30-080065
	TWL30-085	3-3/8	85	3-3/8 - 3-1/8	85-80	TWR30-085080	3-3/8 - 2-15/16	85-65	TWR30-085065	3-3/8 - 2-3/4	85-70	TWR30-085070
	TWL30-090	3-1/2	90	3-1/2 - 3-3/8	90-85	TWR30-090085	3-1/2 - 3-1/8	90-80	TWR30-090080	3-1/2 - 2-15/16	90-75	TWR30-090075
	TWL30-095	3-3/4	95	3-3/4 - 3-1/2	95-90	TWR30-095090	3-3/4 - 3-3/8	95-85	TWR30-095085	3-3/4 - 3-1/8	95-80	TWR30-095080
	TWL30-100	3-7/8	100	3-7/8 - 3-3/4	100-95	TWR30-100095	3-7/8 - 3-1/2	100-90	TWR30-100090	3-7/8 - 3-3/8	100-85	TWR30-100085
	TWL30-105	-	105	-	105-100	TWR30-105100	-	105-95	TWR30-105095	-	105-90	TWR30-105090
	TWL30-425	4-1/4	-	4-1/4 - 3-7/8	-	TWR30-425388	4-1/4 - 3-3/4	-	TWR30-425375	4-1/4 - 3-1/2	-	TWR30-425350
	TWL30-110	-	110	-	110-105	TWR30-110105	-	110-100	TWR30-110010	-	110-95	TWR30-110095
	TWL30-115	-	115	-	115-110	TWR30-115110	-	115-105	TWR30-115015	-	115-100	TWR30-115100
	TWL30-463	4-5/8	-	4-5/8 - 4-1/4	-	TWR30-463425	4-5/8 - 3-7/8	-	TWR30-463388	4-5/8 - 3-3/4	-	TWR30-463375
	TWL30-120	-	120	-	120-115	TWR30-120115	-	120-110	TWR30-120110	-	120-105	TWR30-120105
	TWL30-500	5	-	5 - 4-5/8	-	TWR30-500463	5 - 4-1/4	-	TWR30-500425	5 - 3-7/8	-	TWR30-500388
	TWL30-130	-	130	-	130-120	TWR30-130120	-	130-115	TWR30-130115	-	130-110	TWR30-130110
	TWL30-135	5-3/8	135	5-3/8 - 5	135-125	TWR30-135125	5-3/8 - 4-5/8	135-120	TWR30-135120	5-3/8 - 4-1/4	135-115	TWR30-135115
	TWL30-145	5-3/4	145	AVAILABLE UPON REQUEST								
	TWL30-150	-	150									
	TWL30-155	6-1/8	155									

TORQUE WRENCH REACTION ARMS - TWLC

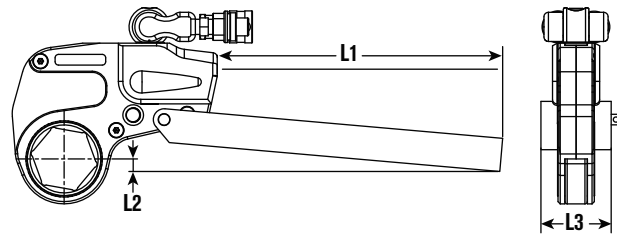
SPX Bolting Systems offer a varied range of alternative and optional reaction accessories, which help to find a reaction point solution no matter how unusual the bolted application is.

TWLC REACTION BAR TWLC-RB



- In-Line Extension Reaction Bar for TWLC wrench: allows extended reach on the same plane
- Pin engagement, no tools required
- Available for full range of tool sizes

Specifications and Dimensional Data



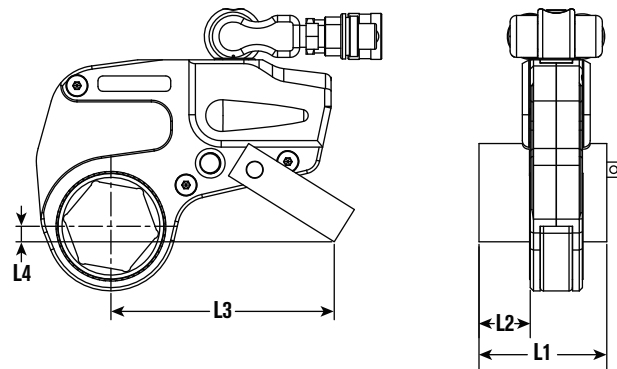
Tool Ref	Order No.	L1		L2		L3	
		mm	in	mm	in	mm	in
TWLC2	TWLC2-RB	381	15	28	1.10	55	2.17
TWLC4	TWLC4-RB	457	18	35	1.38	66	2.60
TWLC8	TWLC8-RB	457	18	37	1.46	85	3.35
TWLC15	TWLC15-RB	508	20	40	1.57	102	4.01
TWLC30	TWLC30-RB	508	20	35	1.38	127	5

TWLC REACTION PADDLE TWLC-RP



- Off-Set Reaction Arm for TWLC wrench: allows off-set reaction within wrench profile
- Pin engagement, no tools required
- Light alloy construction
- Available for full range of tool

Specifications and Dimensional Data



Tool Ref	Order No.	L1		L2		L3		L4	
		mm	in	mm	in	mm	in	mm	in
TWLC2	TWLC2-RP	84	3.31	35	1.38	142	5.59	13	0.51
TWLC4	TWLC4-RP	109	4.29	46	1.81	178	7.01	19	0.75
TWLC8	TWLC8-RP	136.5	5.37	57	2.25	220	8.66	26	1.02
TWLC15	TWLC15-RP	165	6.50	70	2.76	252	9.92	45	1.77
TWLC30	TWLC30-RP	200	7.874	86	3.39	317	12.48	44	1.73

**HAVE A UNIQUE APPLICATION?
DOES STANDARD PRODUCT NOT FIT?**



CUSTOM REACTION PADS AND REDUCERS ARE AVAILABLE.

Contact SPX or an authorized distributor for more details

**WHEN NOTHING ELSE WILL WORK,
SPLIT ADAPTERS ARE MADE TO
ORDER AND AVAILABLE UPON
REQUEST.**



**TWLC15 split adapter,
closed position**



**TWLC15 split adapter,
open position**