

› Bolting Systems™

spxboltingsystems.com

New Link Designs!



SLIMLINE TORQUE WRENCH



NARROW LINK DESIGN FOR TIGHT CLEARANCE APPLICATIONS

SPXFLOW®

▶ **TWSL4-046 Link (left) & TWSL4-060 Link with TWLC4 Drive Body (right)**

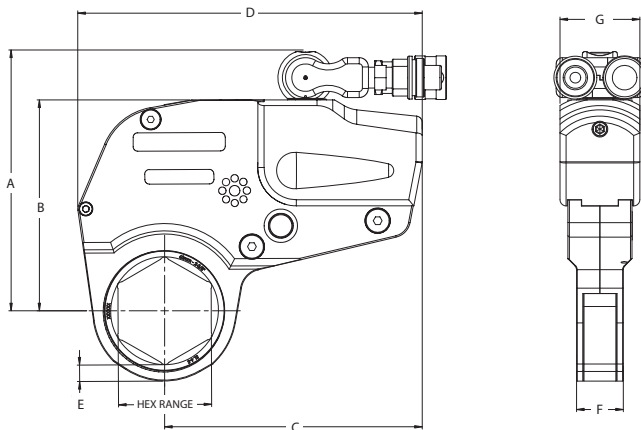


The SlimLine Torque Wrench is engineered to fit inaccessible applications with minimal clearance.

Features & Benefits

- Dynamic engineering modeling (FEA) optimized tool design to extend life and durability
- The SlimLine links use the same quick change Drive Body as the existing TWLC links
- Small nose radius, fits all standard API and ANSI flanges
- Rigid steel body construction with corrosion resistant plating
- Fully enclosed drive mechanism for operator safety
- Swivel manifold has an internal relief valve to prevent retract side over-pressurization
- Multi-axis swivel technology for free positioning of tool and hoses

▶ **Technical Dimensions**



i Drive Body interchanges with the TWLC & TWSL link sizes

Optional Handle
Order #: **DFTAS000002**

The Drive Body is designed to interchange with the TWLC (Low Clearance) and the new TWSL (SlimLine) Links, lowering your tool investment across each series to broaden your application reach.

Size	A In (mm)	B In (mm)	C In (mm)	D In (mm)	E In (mm)	F In (mm)	G In (mm)
TWSL4	6.61 (168.1)	5.39 (137.0)	6.61 (168.0)	8.83 (224.3)	0.42 (10.72)	1.20 (30.5)	2.04 (52.00)

Note: Sizes; TWSL2-# and TWSL8-#, contact factory for details.

► **Technical Fit Overview**



► The TWSL's narrow width and reduced radius design enables the tool to fit into tight areas where standard low clearance links cannot.

i
SlimLine Application Range

Due to the compact design, the maximum torque of the TWSL links vary depending on link size, * reference the information below for complete details.

✓

 New SlimLine^
 (TWSL Series)

⊘

 Standard
 (TWLC Series)

^Shown with optional handle, order # **DFTAS000002**.

► **Torque Wrench Drive Body Ordering Information for SlimLine**

Drive Body Order No.	Hex Range for SlimLine				SlimLine Min Torque		SlimLine Max. Torque		Weight (Body Only)	
	in	in	mm	mm	lb-ft	Nm	lb-ft	Nm	lb	kg
TWLC2	1-1/8	2-3/8	28	60	Contact Factory for Details				2.2	1.0
TWLC4	1-13/16	3-1/8	46	80	505	685	2,639 ~ 4,210*	3,578 ~ 5,708*	4.4	2.0
TWLC8	2-1/4	3-15/16	57	100	Contact Factory for Details				7.7	3.5

Note: Links are sold separately from the drive body, refer to the tables below.

► **Torque Wrench Link Ordering Information for SlimLine**

Link Order No.	Hex Range for SlimLine				SlimLine Min Torque		SlimLine Max. Torque		Weight (Link Only)	
	in	in	mm	mm	lb-ft	Nm	lb-ft	Nm	lb	kg
TWSL2-#	1-1/8	2-3/8	28	60	Contact Factory for Details					
TWSL4-#	1-13/16	3-1/8	46	80	505	685	2,639 ~ 4,210*	3,578 ~ 5,708*	8.0 - 8.4	3.7 - 3.8
TWSL8-#	2-1/4	3-15/16	57	100	Contact Factory for Details					

Note: The "#" suffix will be replaced with the actual link size in a numeric value.

► **TWSL4 SlimLine Link Reference Table***

Nut A/F		Link Order No.	Max. Torque		Weight (Link Only)	
in	mm		lb-ft	Nm	lb	kg
1-13/16	46	TWSL4-046	2,639	3,578	8	3.65
2	50	TWSL4-050	3,271	4,435	8.2	3.72
2-3/16	55	TWSL4-055	3,568	4,838	8.2	3.74
2-3/8	60	TWSL4-060	3,867	5,243	8.3	3.78
2-9/16	65	TWSL4-065	4,210	5,708	8.4	3.79
2-3/4	70	TWSL4-070	4,210	5,708	8.4	3.81
2-15/16	75	TWSL4-075	4,210	5,708	8.4	3.83
3-1/8	80	TWSL4-080	4,210	5,708	8.4	3.82

*Contact your nearest Bolting Systems sales representative for assistance in sizing the proper tool for your application, or go to spxbolting.com website for details about other available link sizes not listed.

► **Other Related Items**



Pumps

Hoses

Tools

› Bolting Systems™

SALES, SERVICE AND RENTAL CENTERS

Houston, Texas USA

3030 E. Pasadena Frwy
Pasadena, TX 77503
USA
Tel: +1 713 472 2500
Fax: +1 713 472 2501
houston@spxboltingsystems.com

Baton Rouge, Louisiana USA

12742 Ronaldson Road
Baton Rouge, LA 70807
USA
Tel: +1 225 774 0888
Fax: +1.713 472 2501
louisiana@spxboltingsystems.com

Rockford, Illinois USA

5885 11th Street
Rockford, IL 61109
USA
Tel: +1 815 874 5556
Fax: +1 800 288 7031
info@spxboltingsystems.com

ENGINEERING, MANUFACTURING AND SUPPORT CENTERS

World Headquarters

5885 11th Street
Rockford, IL 61109, USA
Tel: +1 815 874 5556
Fax: +1 800 288 7031
info@spxboltingsystems.com

European Headquarters

Albert Thijsstraat 12
6471 WX Eygelshoven
The Netherlands
Tel: +31 45 567 8877
Fax: +31 45 567 8878
europe@spxboltingsystems.com

Aberdeen, UK

Howemoss Drive
Kirkhill Industrial Estate
Dyce AB21 0GL
Tel: +44 1224 722 895
Fax: +44 1224 729 712
aberdeen@spxboltingsystems.com

Brazil (Coming Soon)

Tel: +55 11 983 392196
brazil@spxboltingsystems.com

UAE (Coming Soon)

uae@spxboltingsystems.com

Ashington, UK

Unit 4, Wansbeck Business Park
Rotary Parkway
Ashington
Northumberland NE63 8QW
europe@spxboltingsystems.com

Asia Pacific Headquarters

26 Soon Lee Road
Singapore 628086
Singapore
Tel: +65 6265 3343
Fax: +65 6265 6646
singapore@spxboltingsystems.com

Shanghai, China

No. 1568 Hua Shan Road
Treasury Building, 7th Floor
Shanghai 200052, China
Tel: +86 21 2208 5660/5659/5667
Fax: +86 21 2208 5682
china@spxboltingsystems.com

Perth, Australia

46 Callaway Street
Wangara, 6065
Perth, Western Australia
Tel: +61 8 9358 6699
Fax: +61 8 9358 6700
australia@spxboltingsystems.com

Visit us at spxboltingsystems.com



Flange Pro
Our newest innovation is FLANGEPRO, a software solution offering the ultimate secure, safe and traceable flange management system. FLANGEPRO has been designed to improve safety, reduce risk and save money, protecting assets,...

[LEARN MORE](#)

Bolting Systems: Your Partner in High Quality Bolting Tools

 <p>ISP Pumps Infinite Stage Pumps</p> <p>LEARN MORE</p>	 <p>TWHC High Cycle Torque Wrenches</p> <p>LEARN MORE</p>	 <p>PE39 Compact Torque Wrench Pumps</p> <p>LEARN MORE</p>
---	--	---



Distributed by:

SPXFLOW