

# WIND TENSIONERS

WD/WS

1500 bar  
G 1/4"  
FF



WDD



WSS & WSL



WSD



Tensioner Pumps pages 91-99

# WIND TENSIONERS

Our tensioners have quality designed in with standard features that enhance durability and efficiency to get the job done faster and safer:

## Quality Means Lower Life-Cycle Costs:

- Achieves 90% proof load requirement for ISO 898 Grade 10.9 bolts
- Fully enclosed load cell eliminates debris in piston retraction mechanism
- Auto-Engaging Geared Nut Rotator
- Self-energizing, long life seals

## Enhanced Usability:

- Piston stroke limit indication
- High pressure swivel coupling (swivel is optional on WSS & WSL)
- 1,350 bar (19,580 psi maximum operating pressure)
- Automatic piston retraction mechanism

## Designed with Safety in Mind:

- Overstroke prevention for safe operation
- Anti-slip grip surface
- Tool lifting-strap as standard



# WIND TENSIONERS

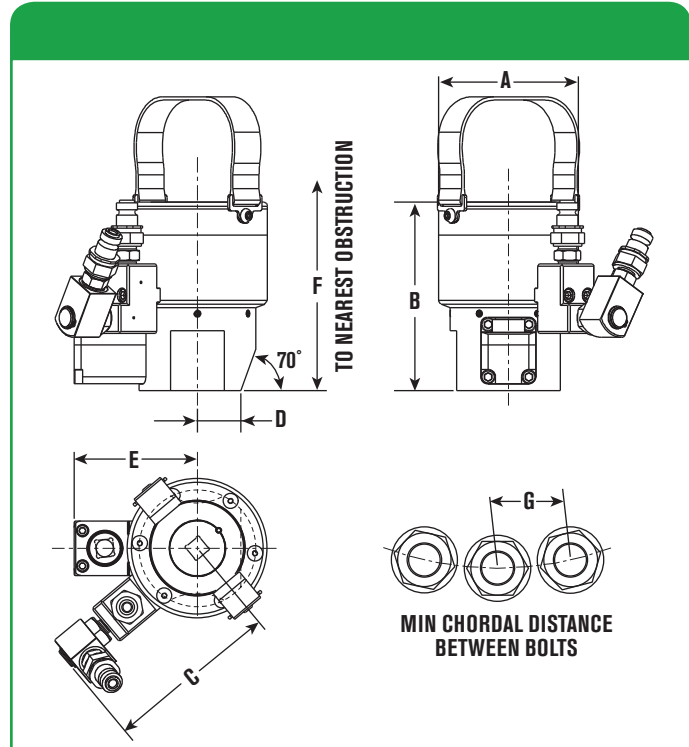
## COMPACT TOWER - WSD



### Specifications and Dimensional Data

#### WSD COMPACT TOWER WIND TENSIONERS

- Robust Gearbox Drive
- Auto-Engaging Geared Nut Rotator
- Low height hydraulic load cell
- Fast application using 1/2" drive
- Cycle counter optional (Add "A" to end of part number)
- Maximum operating pressure 1350 bar (19,580 psi)
- Twin coupling optional (Add "TC" to end of part number)



Tool Ref	A mm	B mm	C mm	D mm	E mm	F mm	G mm
WSD1-M30	103	138	127	32	91	211	68
WSD2-M33	112	140	132	35	93	218	74
WSD3-M36	122	149	136	37	96	233	82
WSD4-M39	133	153	142	42	99	238	88
WSD5-M42	140	157	146	45	102	250	93

### Ordering Information

Order No.	Metric	Required Thread Protrusion mm	Stroke mm	Max Load kN	Hyd Area sq. mm	Wt kg
WSD1-M30	M30	63 - 81	7	467	3458	6.60
WSD2-M33	M33	67 - 86	7	569	4215	7.60
WSD3-M36	M36	71 - 93	10	671	4970	8.80
WSD4-M39	M39	72 - 95	10	801	5931	11.20
WSD5-M42	M42	80 - 96	10	926	6856	12.20

For twin hydraulic couplings (for multiple tool connection) add "TC" after part number. For cycle counter option, add "A" after code (eg. WDD1-M30A, WDD1-M30TCA)