

WIND TENSIONERS

WD/WS

1500 bar
G 1/4"
FF



WDD



WSS & WSL



WSD



Tensioner Pumps pages 91-99

WIND TENSIONERS

Our tensioners have quality designed in with standard features that enhance durability and efficiency to get the job done faster and safer:

Quality Means Lower Life-Cycle Costs:

- Achieves 90% proof load requirement for ISO 898 Grade 10.9 bolts
- Fully enclosed load cell eliminates debris in piston retraction mechanism
- Auto-Engaging Geared Nut Rotator
- Self-energizing, long life seals

Enhanced Usability:

- Piston stroke limit indication
- High pressure swivel coupling (swivel is optional on WSS & WSL)
- 1,350 bar (19,580 psi maximum operating pressure)
- Automatic piston retraction mechanism

Designed with Safety in Mind:

- Overstroke prevention for safe operation
- Anti-slip grip surface
- Tool lifting-strap as standard



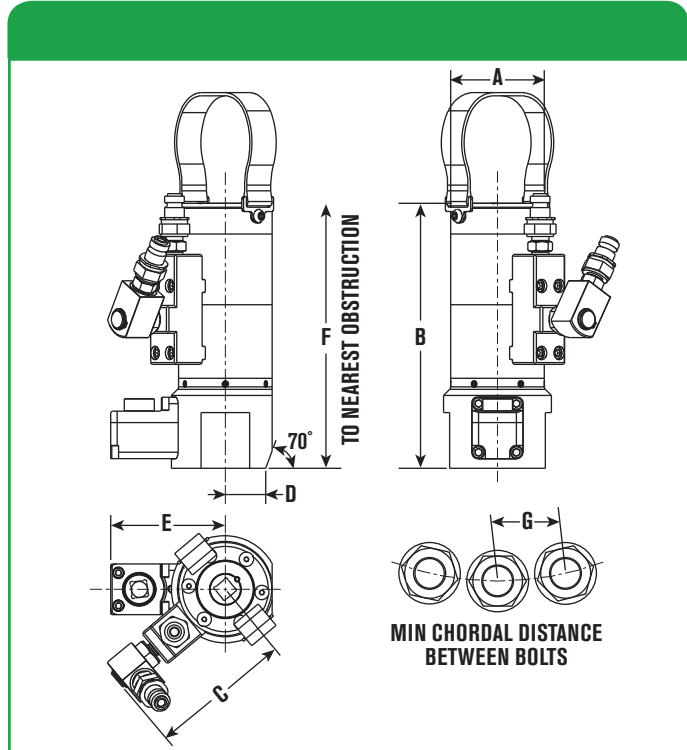
WIND TENSIONERS UP TOWER - WDD



Specifications and Dimensional Data

WDD UP TOWER WIND TENSIONERS

- Robust Gearbox Drive
- Auto-Engaging Geared Nut Rotator
- Small diameter, high load 2-Stage hydraulic load cell
- Fast application using 1/2" drive
- Cycle counter optional (Add "A" to end of part number)
- Max Pressure: 1,350 bar (19,580 psi)
- Twin coupling optional (Add "TC" to end of part number)



Tool Ref	A mm	B mm	C mm	D mm	E mm	F mm	G mm
WDD1-M30	74	210	112	37	91	290	64
WDD2-M33	79	214	115	39.5	93	298	70
WDD3-M36	85	239	117	42.5	96	332	76
WDD4-M39	92	249	121	46	99	348	79
WDD5-M42	98	255	124	49	102	360	90

Ordering Information

Order No.	Metric	Required Thread Protrusion mm	Stroke mm	Max Load kN	Hyd Area sq. mm	Wt kg
WDD1-M30	M30	63 - 70	7	467	3458	6.70
WDD2-M33	M33	67 - 74	7	569	4215	7.60
WDD3-M36	M36	71 - 80	10	671	4970	9.25
WDD4-M39	M39	72 - 86	10	801	5931	11.10
WDD5-M42	M42	80 - 92	10	926	6856	12.60

For twin hydraulic couplings (for multiple tool connection) add "TC" after part number. For cycle counter option, add "A" after code (eg. WDD1-M30A, WDD1-M30TCA)

WIND TENSIONERS

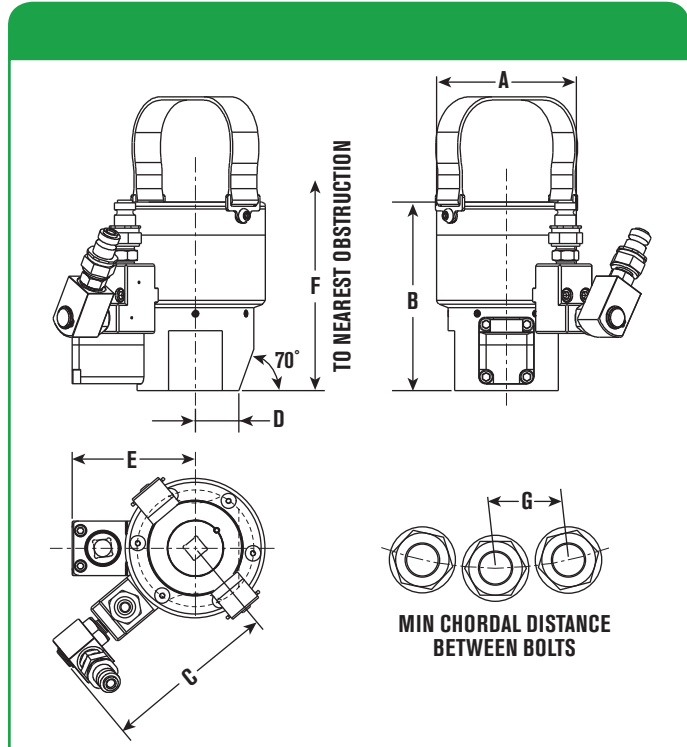
COMPACT TOWER - WSD



Specifications and Dimensional Data

WSD COMPACT TOWER WIND TENSIONERS

- Robust Gearbox Drive
- Auto-Engaging Geared Nut Rotator
- Low height hydraulic load cell
- Fast application using 1/2" drive
- Cycle counter optional (Add "A" to end of part number)
- Maximum operating pressure 1350 bar (19,580 psi)
- Twin coupling optional (Add "TC" to end of part number)



Tool Ref	A mm	B mm	C mm	D mm	E mm	F mm	G mm
WSD1-M30	103	138	127	32	91	211	68
WSD2-M33	112	140	132	35	93	218	74
WSD3-M36	122	149	136	37	96	233	82
WSD4-M39	133	153	142	42	99	238	88
WSD5-M42	140	157	146	45	102	250	93

Ordering Information

Order No.	Metric	Required Thread Protrusion mm	Stroke mm	Max Load kN	Hyd Area sq. mm	Wt kg
WSD1-M30	M30	63 - 81	7	467	3458	6.60
WSD2-M33	M33	67 - 86	7	569	4215	7.60
WSD3-M36	M36	71 - 93	10	671	4970	8.80
WSD4-M39	M39	72 - 95	10	801	5931	11.20
WSD5-M42	M42	80 - 96	10	926	6856	12.20

For twin hydraulic couplings (for multiple tool connection) add "TC" after part number. For cycle counter option, add "A" after code (eg. WDD1-M30A, WDD1-M30TCA)

WSS & WSL FOUNDATION WIND TENSIONERS

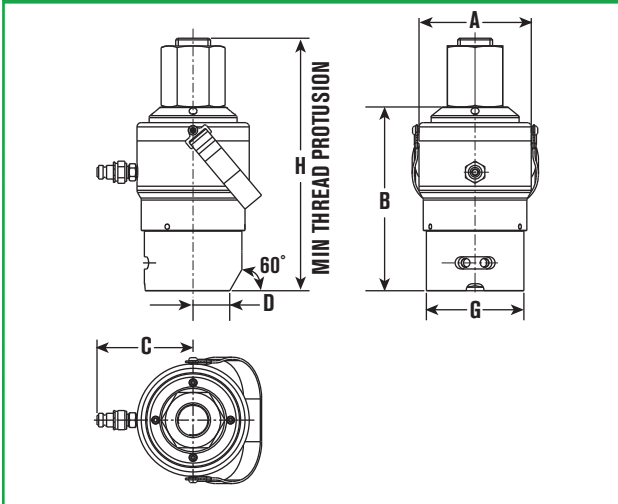
- Suitable for ISO Metric threaded and all-thread bars
- Geared or Manual Nut Rotator
- Long & short stroke models
- Maximum operating pressure 1350 bar (19,580 psi)
- Uses standard system 'nut' for reaction
- Contact factor for optional swivel coupling



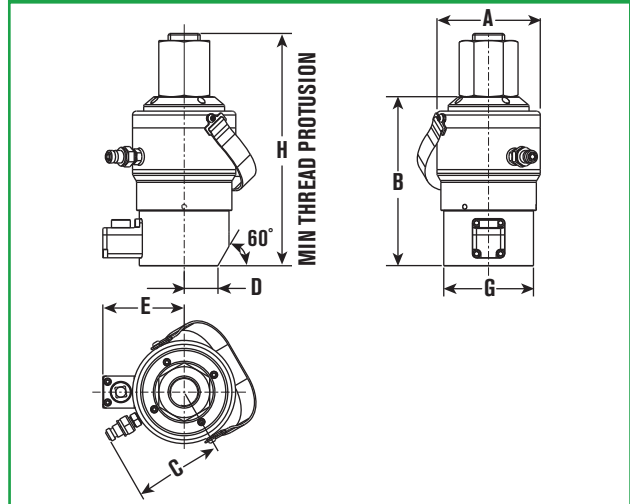
WIND TENSIONERS FOUNDATION - WSS & WSL

Specifications and Dimensional Data

Manual Nut Rotation Version



Gearbox Nut Rotation Version



Tool Ref	A mm	B mm	C mm	D mm	E mm	G mm	H mm
WSS1/WSS1-10	103	158	98	42	99	103	206
WSS1/WSS1-11	103	158	98	42	99	103	219
WSL1/WSL1-10	114	205	103	42	99	130	255
WSL1/WSL1-11	114	205	103	42	99	103	266
WSS2/WSS2-125	119	168	105	42	102	112	226
WSS2/WSS2-138	119	168	105	42	102	112	238
WSL2/WSL2-125	129	211	110	42	102	112	269
WSL2/WSL2-138	129	211	110	42	102	112	280

Ordering Information

Load Cell Order No.	Adaptor Kit** Order No.	Bar Size	Stroke mm	Max Load kN	Hyd Area sq mm	Wt kg
FOR GRADE 75 ksi ALL THREAD FOUNDATION BOLTS						
WSS1	WSS1-10	#10	10	470	3481	5.74
	WSS1-11	#11				5.85
WSL1	WSL1-10	#10	25	470	3481	9.00
	WSL1-11	#11				9.20
FOR GRADE 150 ksi ALL THREAD FOUNDATION BOLTS						
WSS2	WSS2-125	1-1/4"	10	760	5630	8.20
	WSS2-138	1-3/8"				8.30
WSL2	WSL2-125	1-1/4"	25	760	5630	12.30
	WSL2-138	1-3/8"				12.40

**For manual nut rotation Adaptor Kit add "M" after part number, for gearbox style nut rotation add "GB".

Note: For a complete tensioner, order load cell and adapter kit.