

NUT SPLITTERS

HYDRAULIC - HNS

15 & 25 Ton Capacity
700 bar/10,000 psi



HNS150



HNS150A



HNS225

HNS HYDRAULIC NUT SPLITTER

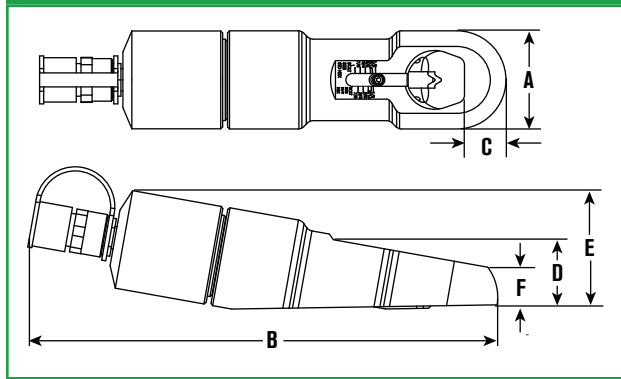
- “Dial-in” feature on HNS150 makes adjustment of splitter simple, without the worry of damaging the bolt
- Specially designed “tool steel” cutter blade penetrates the nut to the precise point where it cracks, stopping short of the bolt threads
- Nut splitter features a dramatically improved cutter blade with an 800% greater resistance to chipping and breaking over previous models
- All models feature a rugged one-piece cutting frame coupled to a heavy-duty hydraulic cylinder
- Compact size allows you to use it in confined areas where it will deliver enough force to split the toughest “fused” or rusted-on grade 2H nuts
- Simply split nut on one side, spin nut splitter 1/2 turn and make second cut on opposite side; nut separates into halves for easy removal
- Uses a standard 3/8" high flow coupler



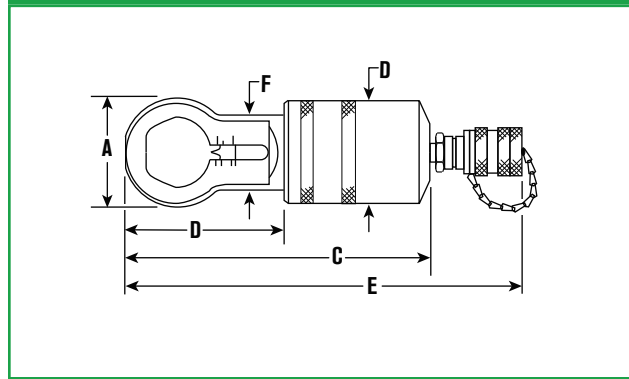
Align mark on cutter blade with scale.

Specifications and Dimensional Data

HNS150A



HNS150 & HNS225



Tool Model	A	B	C	D	E	F	HEAD THICKNESS	REPLACEMENT BLADE	TOOL Wt
HNS150	2.875	3.375	7.875	2.75	10.375	2.0625	1	308840	8.1
HNS150A	3.02	14.2	1.03	2.11	3.7	1.16	1	351985	15.8
HNS225	4.25	6	14.375	3.875	N/A	3.25	1.5	308022	29

CAPACITIES (by Nut Grade)

Order No.	2 or A in. hex	5 or B in. hex	8 or C in. hex	2H in. hex
HNS150	1/2 - 1-1/2	1/2 - 1-1/2	1/2 - 1-5/16	1/2 - 1-1/8
HNS150A	1/2 - 1-1/2	1/2 - 1-1/2	1/2 - 1-5/16	1/2 - 1-1/8
HNS225	1-1/8 - 2-1/4	1-1/8 - 2-1/4	1-1/8 - 2-1/4	1-1/8 - 1-11/16